



# ENGINEERING CHANGE NOTICE

NO. 948 SHEET 1 OF 2

DATE RELEASED:  
August 28, 1979

APPROVED:   
PROJ. ENG. \_\_\_\_\_  
CHIEF ENG. 

STAGE OF PRODUCTION AFFECTED  
Effective after Job #49

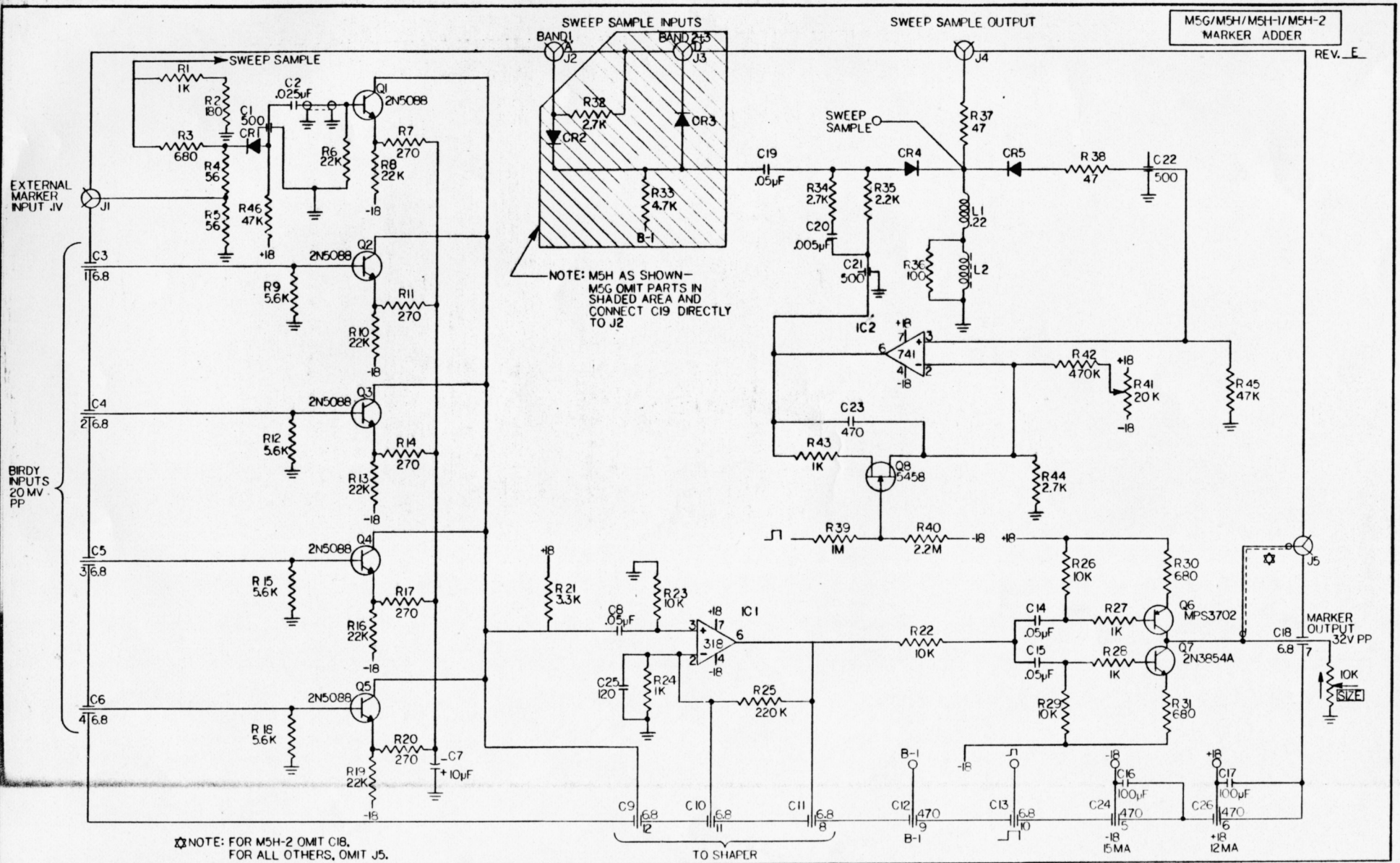
ASSEMBLIES AFFECTED  
M5H

EXPLANATION OF CHANGE:

M5H put on a PC Board with some discrete parts replaced by IC's.  
New Sheet 1  
New Schematic #B1102-44

PARTS TO BE ADDED			PARTS TO BE DELETED			PARTS LISTS AFFECTED (USE SYSTEM NOS.)
REF DES	QTY	SYSTEM PART NO.	REF DES	QTY	SYSTEM PART NO.	
1	1	1410-00-4690	1	1	1410-00-3360	1114-00-0027
None	1	1710-00-3180	8	57	2112-18-0001	"
			9	2	2112-18-0002	"
			6	2	2810-14-6100	"
			15	1	2810-17-6105	"
			7	2	2810-24-6000	"
R41	1	4610-10-7203	R46	1	4610-10-7203	"
R36	1	4700-15-1000	R41	1	4700-15-1000	"
R27,28,43, 24	4	4700-15-1001	R32,33,48	3	4700-15-1001	"
R26,23,29	3	4700-15-1002	R23,28,31, R34,51,52	6	4700-15-1002	"
R39	1	4700-15-1004	R44	1	4700-15-1004	"
			R30	1	4700-15-1801	"
			R53	1	4700-15-2200	"
R35	1	4700-15-2201	R26,40	2	4700-15-2201	"
R25	1	4700-15-2203	R27	1	4700-15-2203	"





REVISIONS		
NO.	DESC.	BY
A		

**WAVETEK** INDIANA, INC  
M5G/M5H/M5H-1/M5H-2